

## Chapter SPS 384

### APPENDIX

---

The material contained in this appendix is for clarification purposes only. The notes, illustrations, etc., are numbered to correspond to the number of the rule as it appears in the text of the code.

**A-384.10 (3) (b)** Request forms for voluntary POWTS product approval may be obtained at the following location:

Department of Safety and Professional Services  
Madison Office  
1400 E. Washington Ave.  
PO Box 7162  
Madison, WI 53703-7162  
Phone (608) 266-6742  
Web Page <http://dsps.wi.gov/programs/industry-services>

#### **A-384.11-Nationally Recognized Listing Agencies Acceptable to the Department**

American Gas Association (AGA)  
400 N. Capitol Street, N.W.  
Washington, DC 20001  
Phone (202) 824-7000  
Web Page [www.aga.org](http://www.aga.org)

American Society of Mechanical Engineers (ASME)  
Three Park Avenue  
New York, NY 10016-5990  
Phone (212) 524-4990  
Web Page [www.asme.org](http://www.asme.org)

American Society of Sanitary Engineering (ASSE)  
901 Canterbury, Suite A  
Westlake, OH 44145-1166  
Phone (440) 835-3040  
Web Page [www.asse-plumbing.org](http://www.asse-plumbing.org)

Canadian Standards Association International (CSA)  
178 Rexdale Blvd.  
Toronto, ON  
CANADA  
M9W 1R3  
Phone (800) 463-6727  
Web Page [www.csa-international.org](http://www.csa-international.org)

IAPMO Research and Testing, Inc. (IAPMO)  
5001 E. Philadelphia St.  
Ontario, CA 91761  
Phone (909) 472-4100  
Web Page <http://www.iapmo.org/Pages/IAPMOgroup.aspx>

ICC Evaluation Services, LLC.  
3060 Saturn Street, Ste. 100  
Brea, CA 92821  
Phone (800) 423-6587  
Web Page <https://icc-es.org/>

ETL Intertek Testing Services NAE, Inc. (ITS)  
3233 US Route 11  
Cortland, NY 13045  
Phone (607) 753-6711  
Web Page <http://www.intertek.com>  
Web Page <http://www.intertek.com/marks/etl>

NSF *International* (NSF)  
789 Dixboro Rd.  
Ann Arbor, MI 48105-9723  
Phone (800) 673-6275  
Web Page [www.nsf.org](http://www.nsf.org)

Underwriters Laboratories Inc. (UL)  
333 Pfingsten Rd.  
Northbrook, IL 60062-2096  
Phone (847) 272-8800  
Web Page [www.ul.com](http://www.ul.com)

Water Quality Association (WQA)  
2375 Cabot Dr.  
Lisle IL 60532-3696  
Phone (630) 505-0160  
Web Page <https://wqa.org/>

The listing agencies list products to a specific national standard and have labeling requirements in addition to those requirements of the standard., i.e., ASSE requires that their seal with the standard number be on the device.

#### A-384.20 (5) SPACING OF PLUMBING FIXTURES

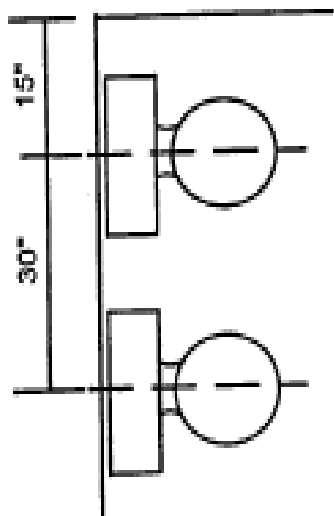


Figure A-384.20-1. Spacing between water closets.

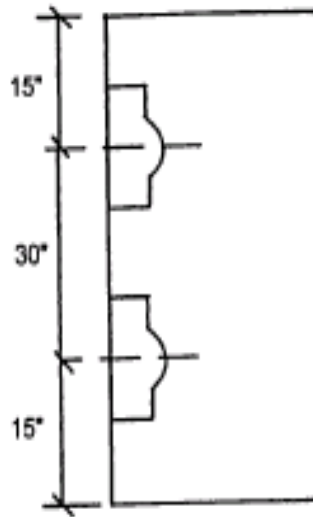


Figure A-384.20-2. Spacing between stall type urinals.

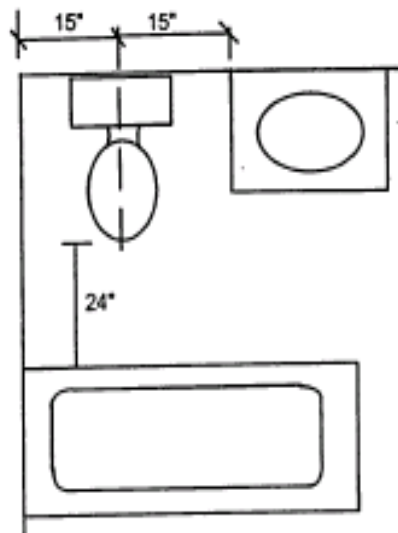
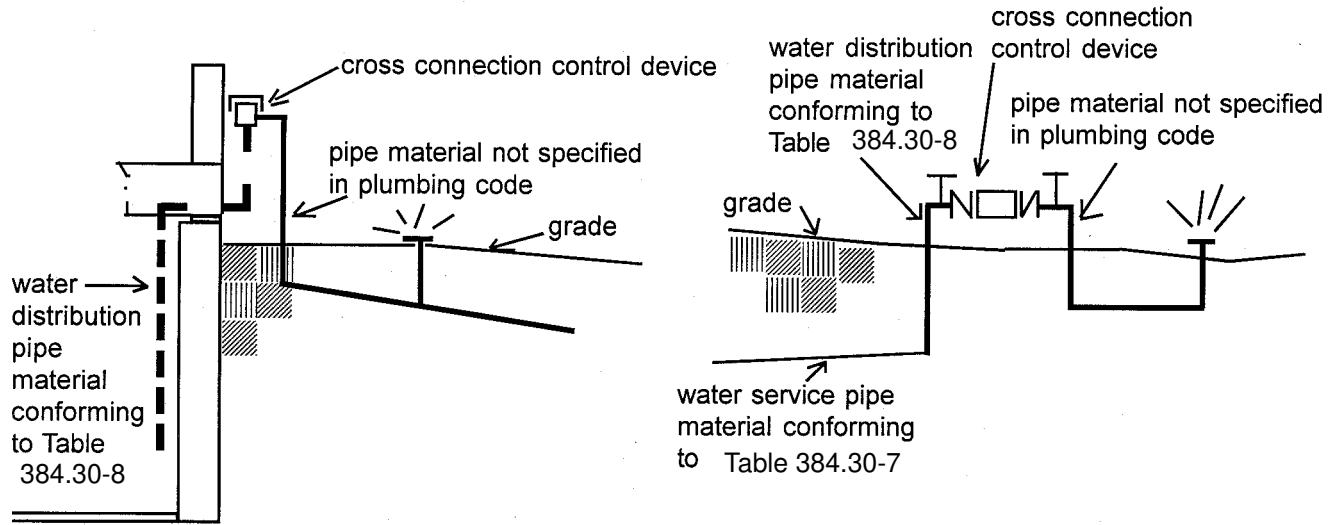
**A-384.20 (5) SPACING OF PLUMBING FIXTURES (Continued)**

Figure A-384.20-3. Spacing between water closet and tub.

A-384.30 (4) (e) 2. TURF SPRINKLER SYSTEM PIPING MATERIAL.



**Turf sprinkler system piping material**