

Chapter SPS 384

APPENDIX

The material contained in this appendix is for clarification purposes only. The notes, illustrations, etc., are numbered to correspond to the number of the rule as it appears in the text of the code.

A-384.10 (3) (b) Request forms for voluntary POWTS product approval may be obtained at the following location:

Department of Safety and Professional Services
Madison Office
1400 E. Washington Ave.
PO Box 7162
Madison, WI 53703-7162
Phone (608) 266-6742
Web Page <http://dsps.wi.gov/programs/industry-services>

A-384.11-Nationally Recognized Listing Agencies Acceptable to the Department

American Gas Association (AGA)
400 N. Capitol Street, N.W.
Washington, DC 20001
Phone (202) 824-7000
Web Page www.aga.org

American Society of Mechanical Engineers (ASME)
Three Park Avenue
New York, NY 10016-5990
Phone (212) 524-4990
Web Page www.asme.org

American Society of Sanitary Engineering (ASSE)
901 Canterbury, Suite A
Westlake, OH 44145-1166
Phone (440) 835-3040
Web Page www.asse-plumbing.org

Canadian Standards Association International (CSA)
178 Rexdale Blvd.
Toronto, ON
CANADA
M9W 1R3
Phone (800) 463-6727
Web Page www.csa-international.org

IAPMO Research and Testing, Inc. (IAPMO)
5001 E. Philadelphia St.
Ontario, CA 91761
Phone (909) 472-4100
Web Page <http://www.iapmo.org/Pages/IAPMOgroup.aspx>

ICC Evaluation Services, LLC.
3060 Saturn Street, Ste. 100
Brea, CA 92821
Phone (800) 423-6587
Web Page <https://icc-es.org/>

ETL Intertek Testing Services NAE, Inc. (ITS)
3233 US Route 11
Cortland, NY 13045
Phone (607) 753-6711
Web Page <http://www.intertek.com>
Web Page <http://www.intertek.com/marks/etl>

NSF *International* (NSF)
789 Dixboro Rd.
Ann Arbor, MI 48105-9723
Phone (800) 673-6275
Web Page www.nsf.org

Underwriters Laboratories Inc. (UL)
333 Pfingsten Rd.
Northbrook, IL 60062-2096
Phone (847) 272-8800
Web Page www.ul.com

Water Quality Association (WQA)
2375 Cabot Dr.
Lisle IL 60532-3696
Phone (630) 505-0160
Web Page <https://wqa.org/>

The listing agencies list products to a specific national standard and have labeling requirements in addition to those requirements of the standard., i.e., ASSE requires that their seal with the standard number be on the device.

A-384.20 (5) SPACING OF PLUMBING FIXTURES

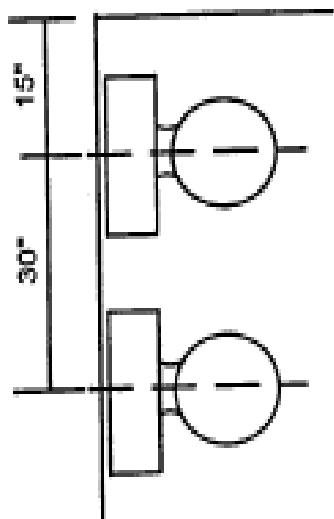


Figure A-384.20-1. Spacing between water closets.

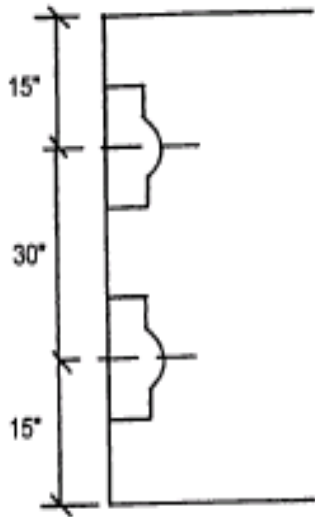


Figure A-384.20-2. Spacing between stall type urinals.

A-384.20 (5) SPACING OF PLUMBING FIXTURES (Continued)

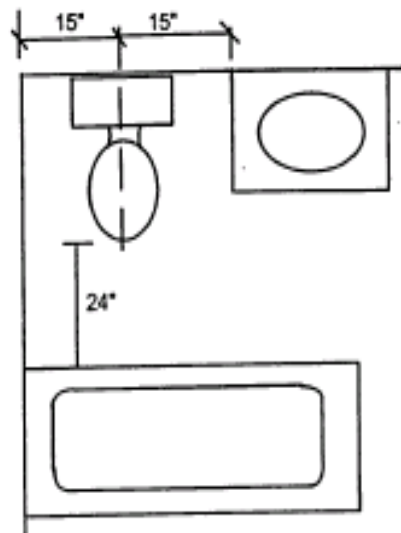
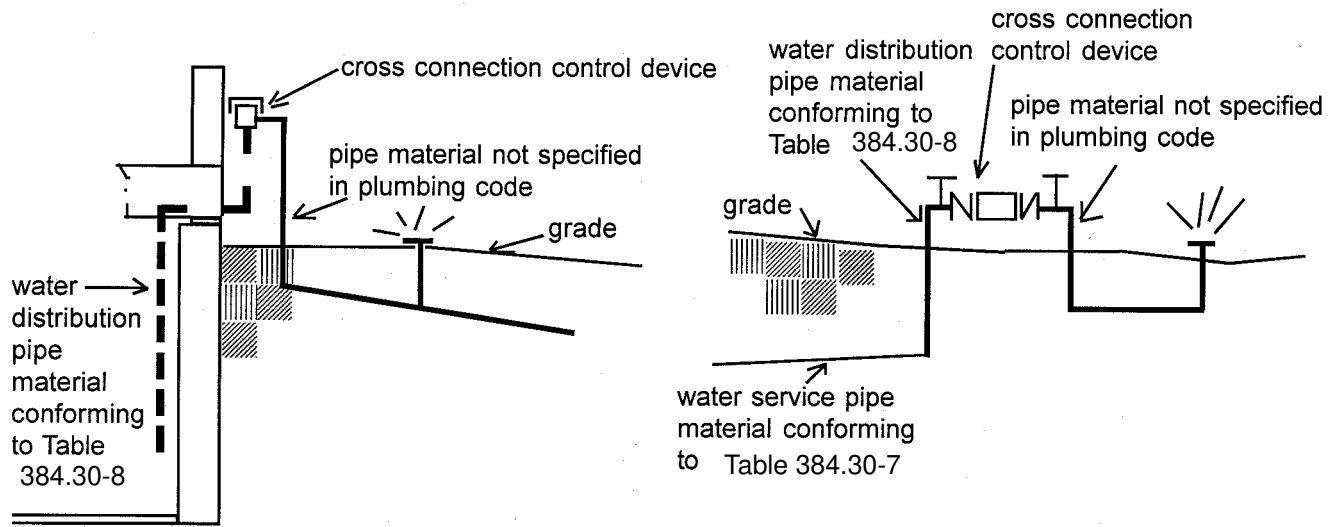


Figure A-384.20-3. Spacing between water closet and tub.

A-384.30 (4) (e) 2. TURF SPRINKLER SYSTEM PIPING MATERIAL.



Turf sprinkler system piping material