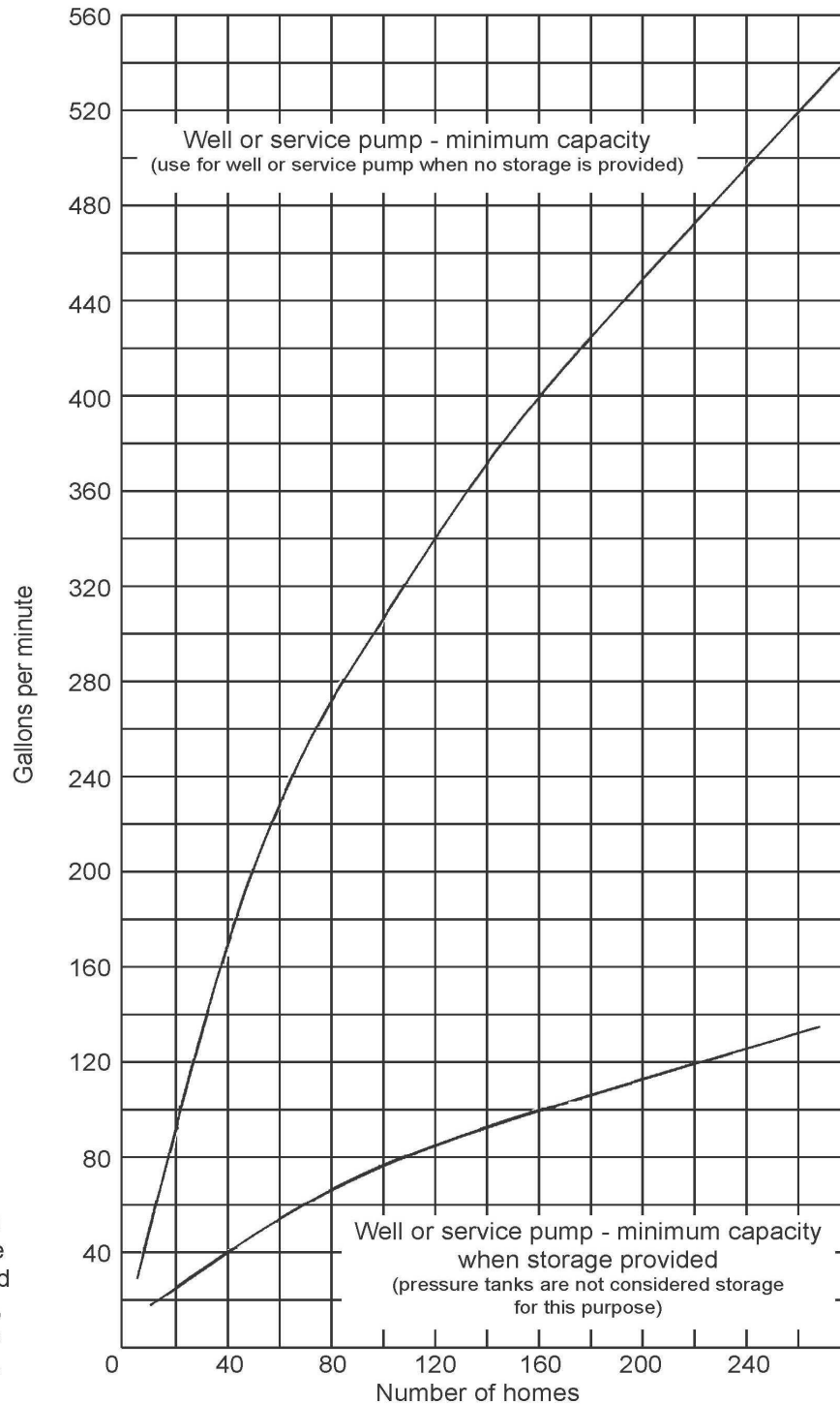


## Chapter NR 811

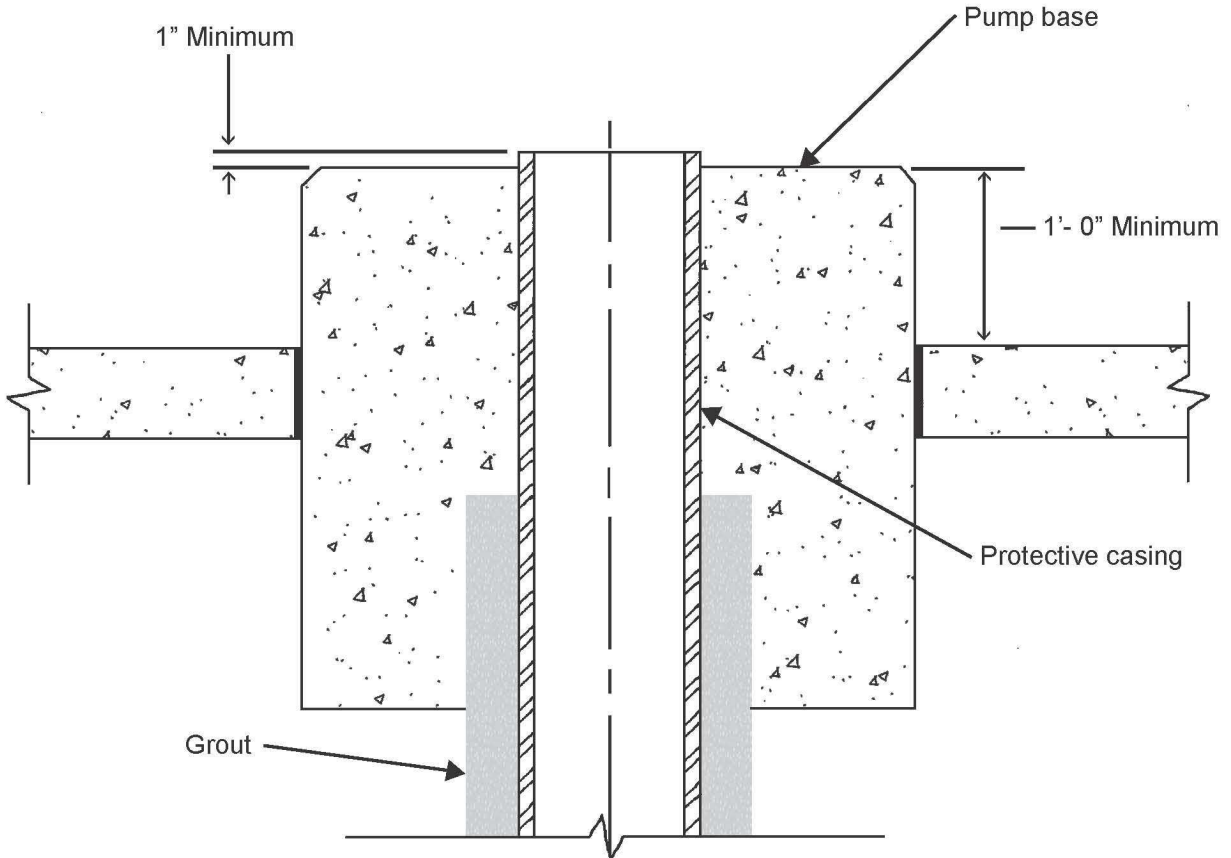
### APPENDIX

**Figure No. 1**  
**Pump capacities for domestic water service.**

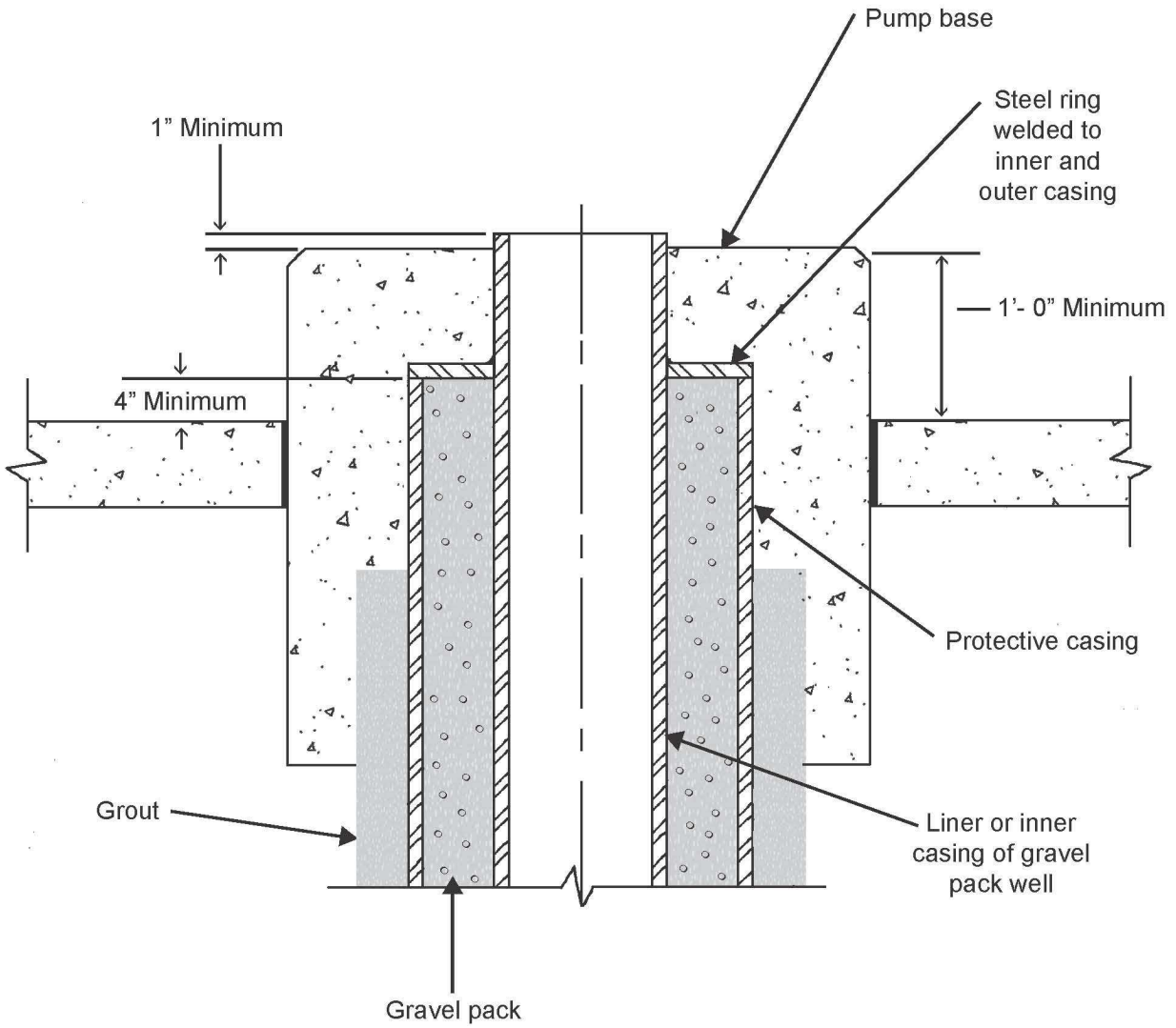


The number of homes when using figure No. 1 may be reduced by one-third for apartment units, condominium units and mobile homes.

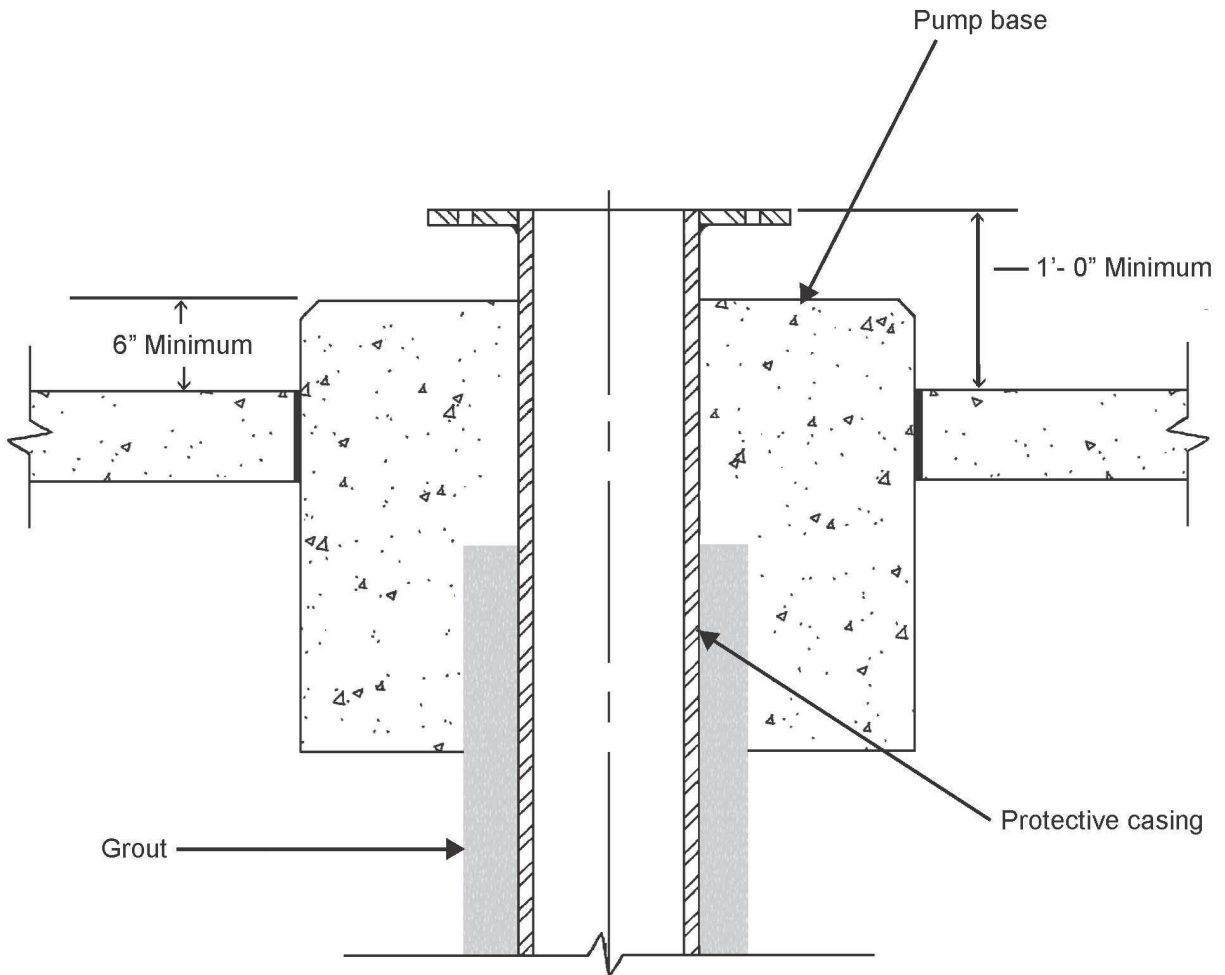
**Figure No. 2**  
**Line-shaft vertical turbine pump base installation.**  
(No outer well casing)



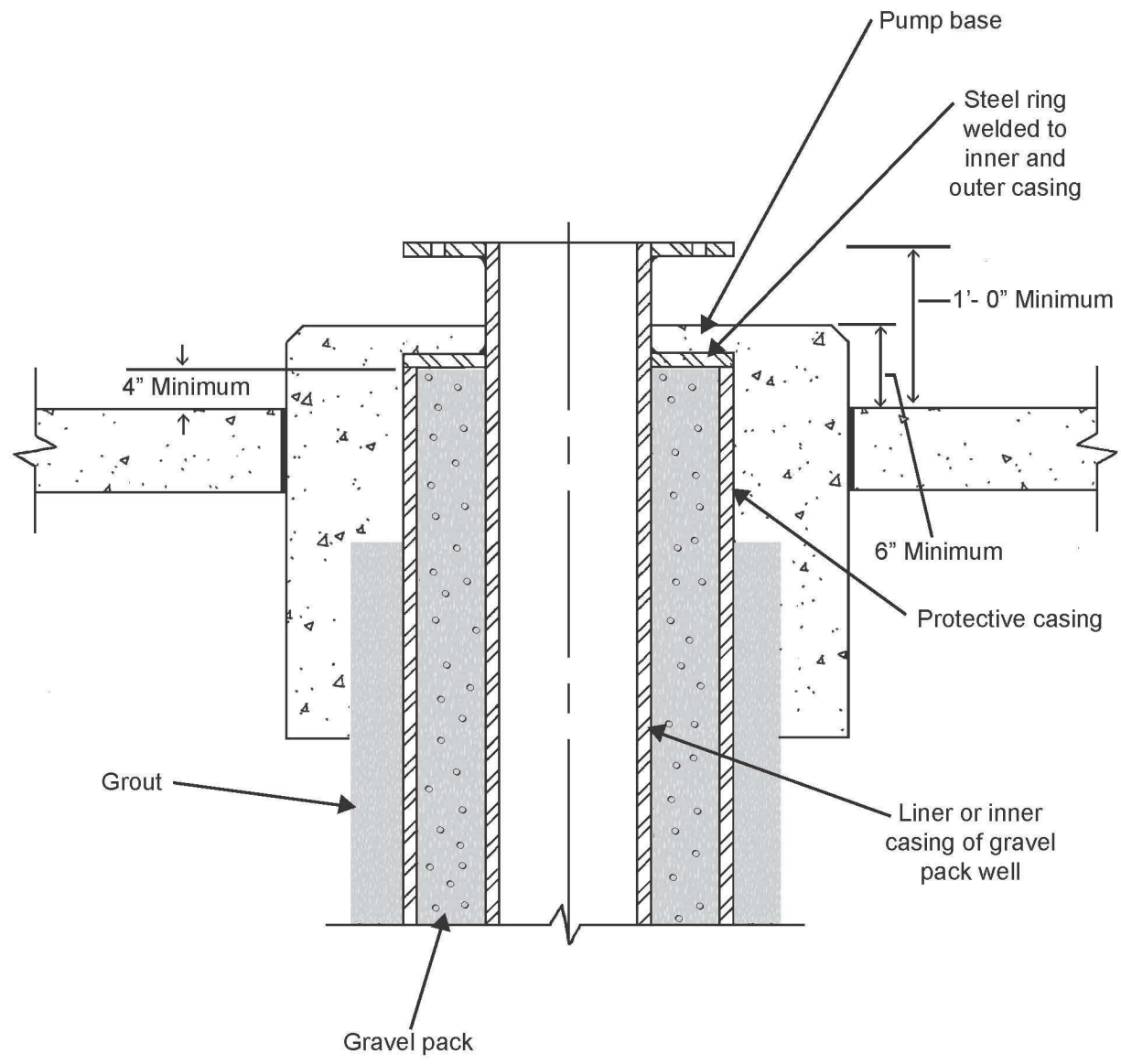
**Figure No. 3**  
**Line-shaft vertical turbine pump base installation.**  
(With an inner ungrouted well casing)



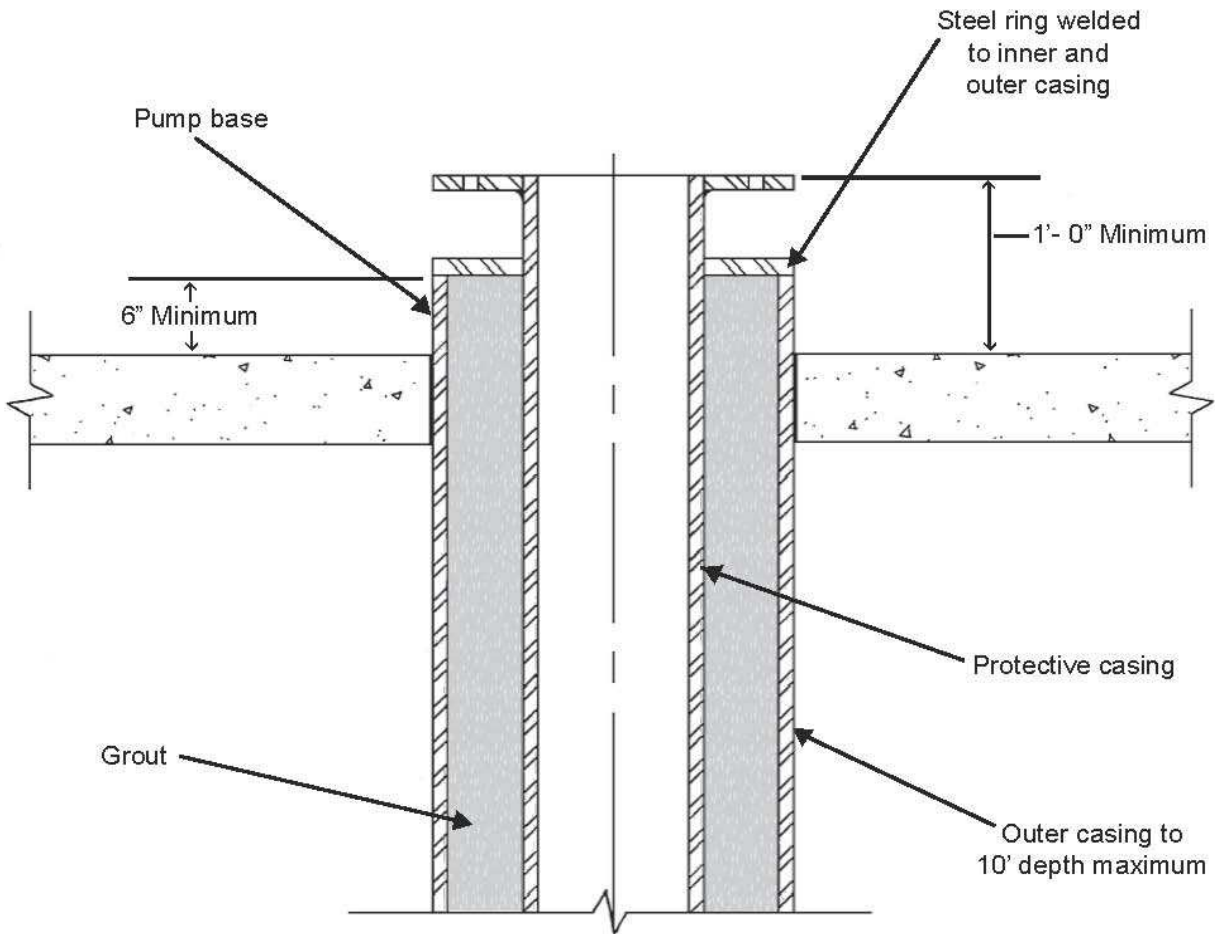
**Figure No. 4**  
**Submersible vertical turbine pump base installation.**  
(Without an outer casing)

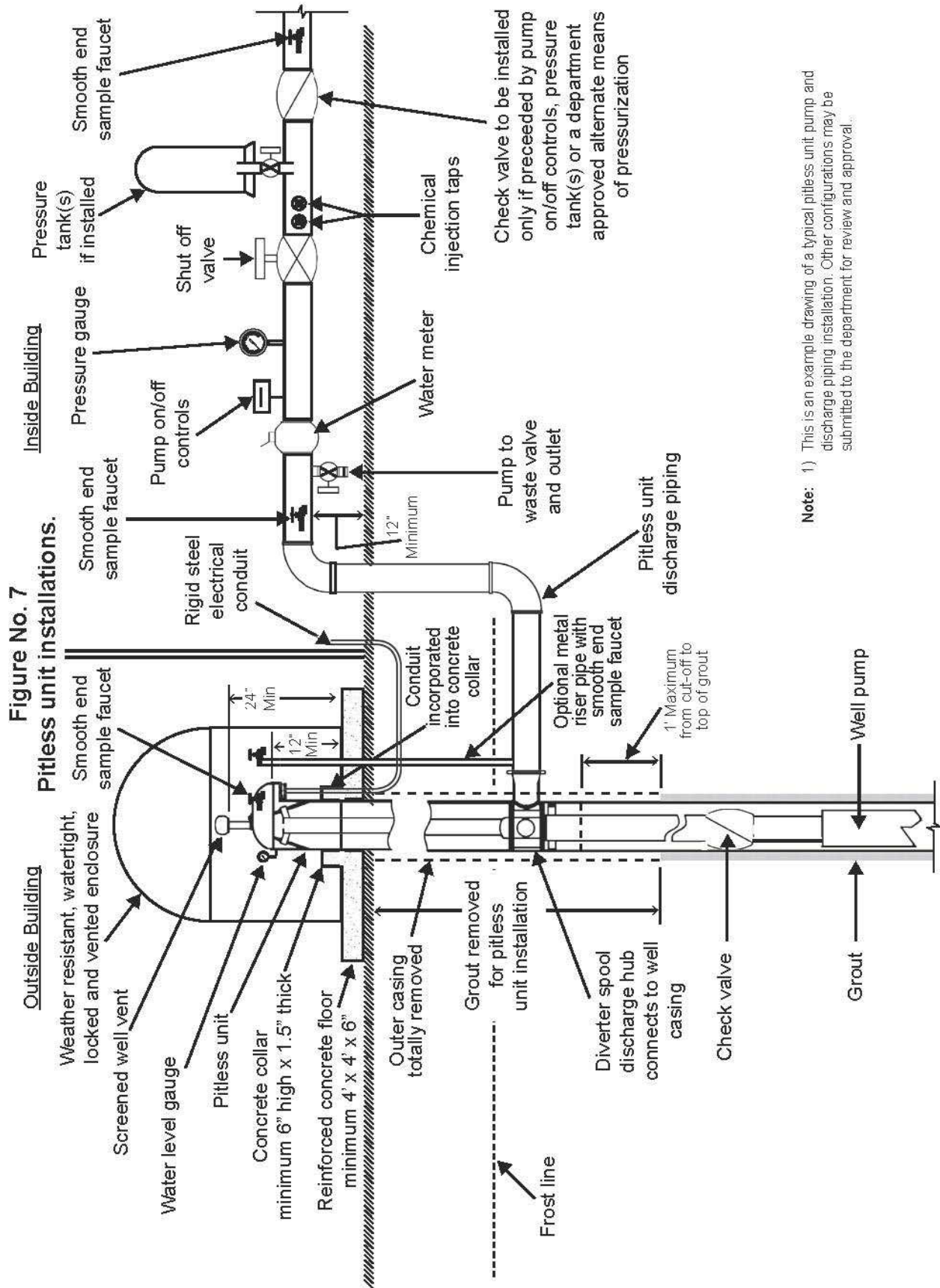


**Figure No. 5**  
**Submersible vertical turbine pump base installation.**  
(With an inner ungrouted well casing)



**Figure No. 6**  
**Submersible vertical turbine pump base installation.**  
(With an outer well casing installed to provide a protective collar.)

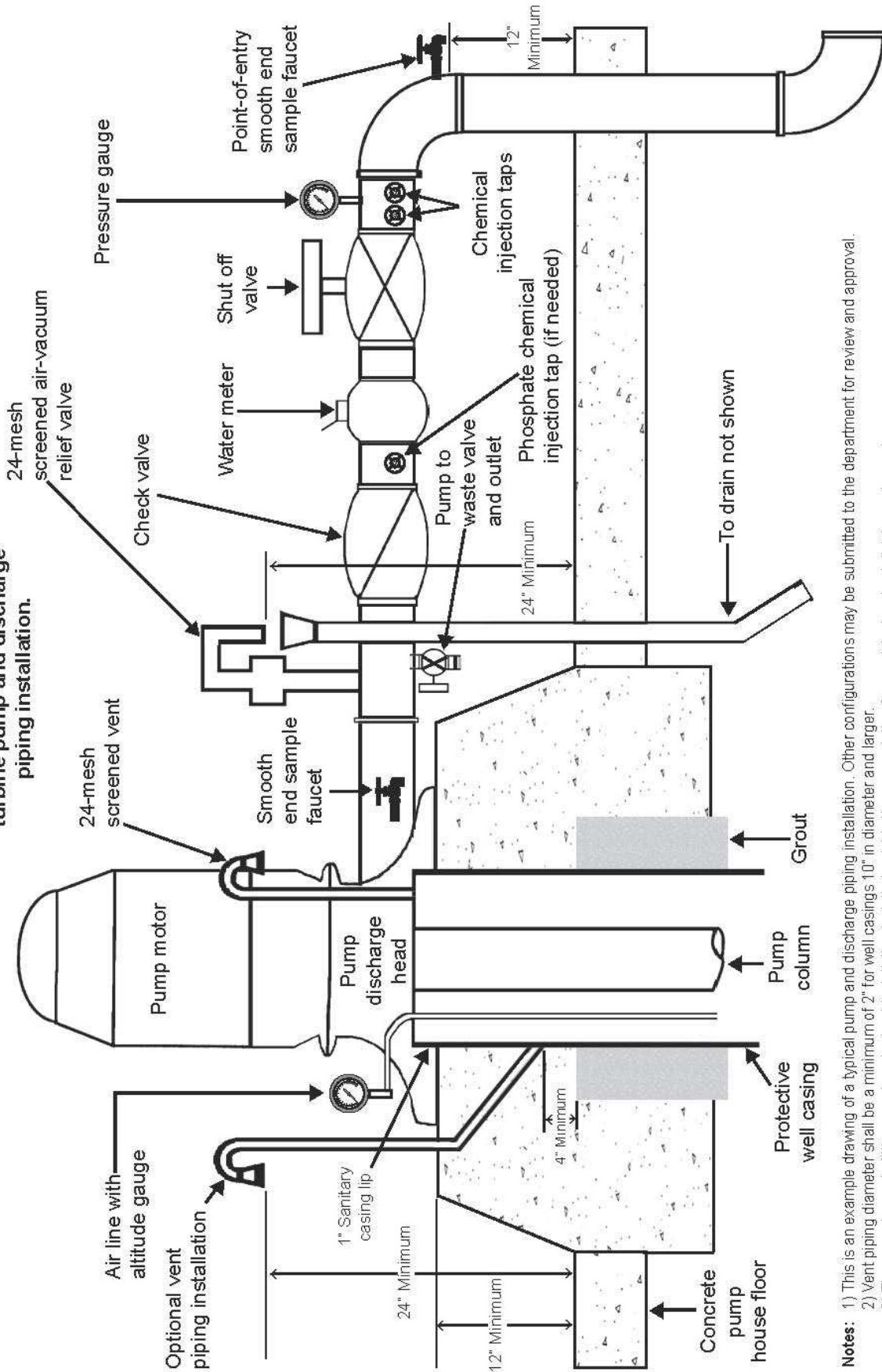




**Note:** 1) This is an example drawing of a typical pitless unit pump and discharge piping installation. Other configurations may be submitted to the department for review and approval.



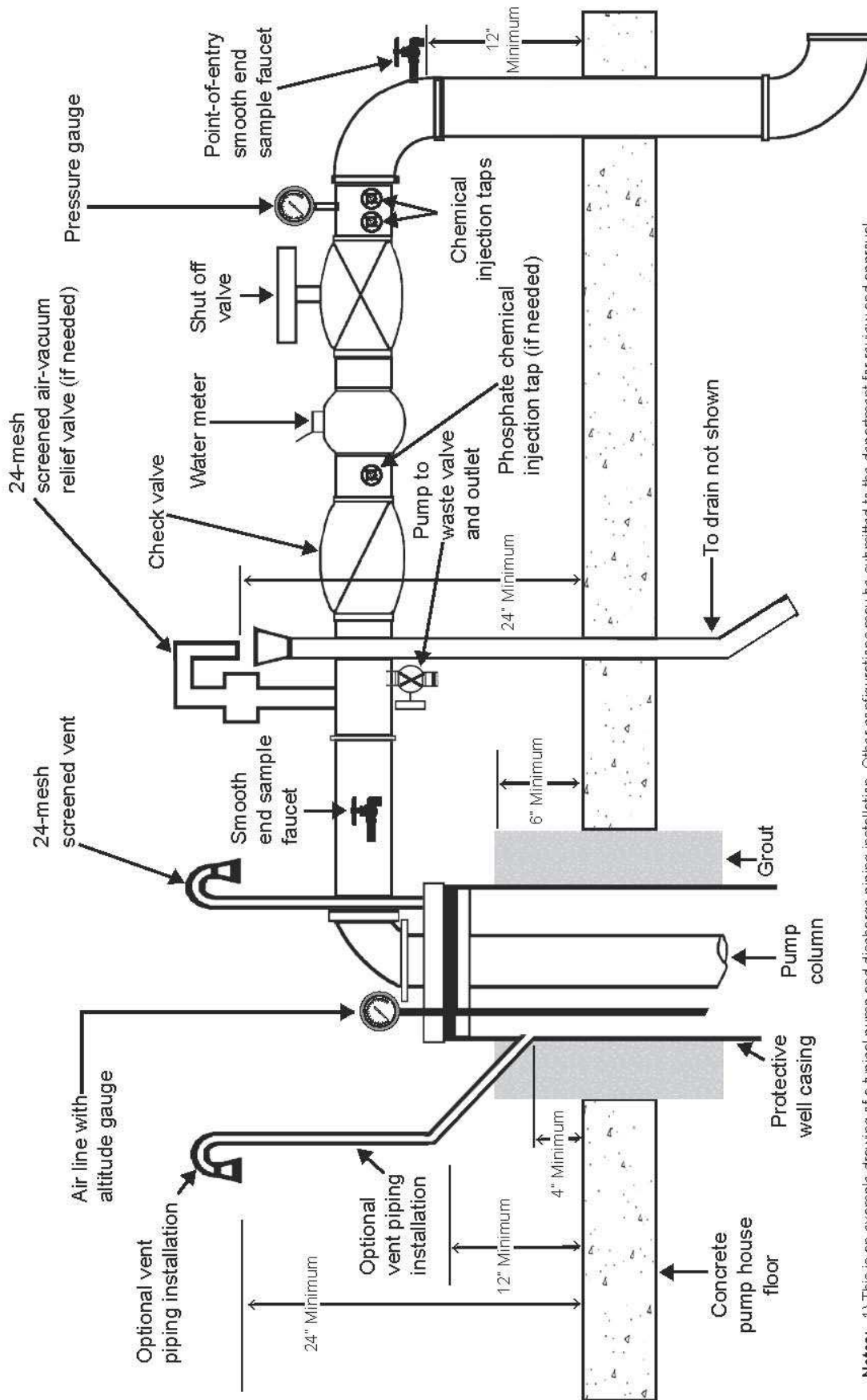
**Figure No. 8**  
Example line-shaft vertical turbine pump and discharge piping installation.



- Notes:**
- 1) This is an example drawing of a typical pump and discharge piping installation. Other configurations may be submitted to the department for review and approval.
  - 2) Vent piping diameter shall be a minimum of 2" for well casings 10" in diameter and larger.
  - 3) The pump to waste fitting may be a hydrant installation installed outside the pump station for municipal and subdivision water systems.

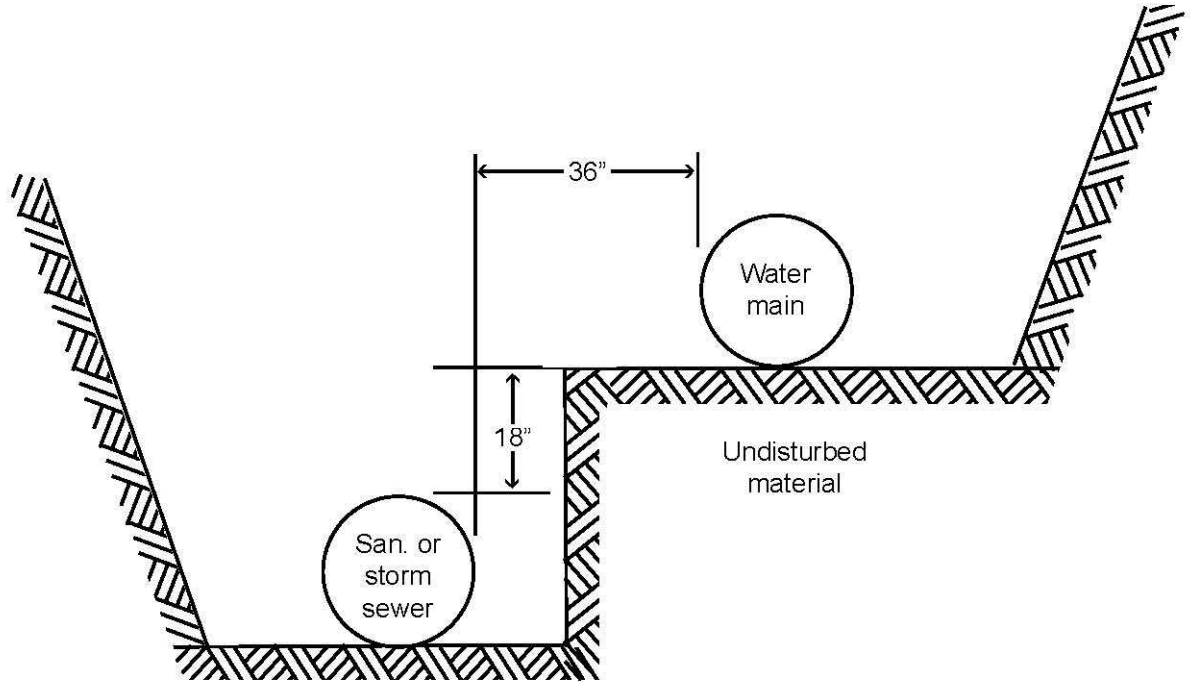


**Figure No. 9**  
Example submersible vertical turbine pump and discharge piping installation.



- Notes:**
- 1) This is an example drawing of a typical pump and discharge piping installation. Other configurations may be submitted to the department for review and approval.
  - 2) Vent piping diameter shall be a minimum of 2" for well casings 10" in diameter and larger.
  - 3) The pump to waste fitting may be a hydrant installation installed outside the pump station for municipal and subdivision water systems.

**Figure No. 10**  
**Common trench installation requirements for**  
**water main and sanitary or storm sewers.**



**Figure No. 11**  
**Acceptable water loading**  
**station devices.**

